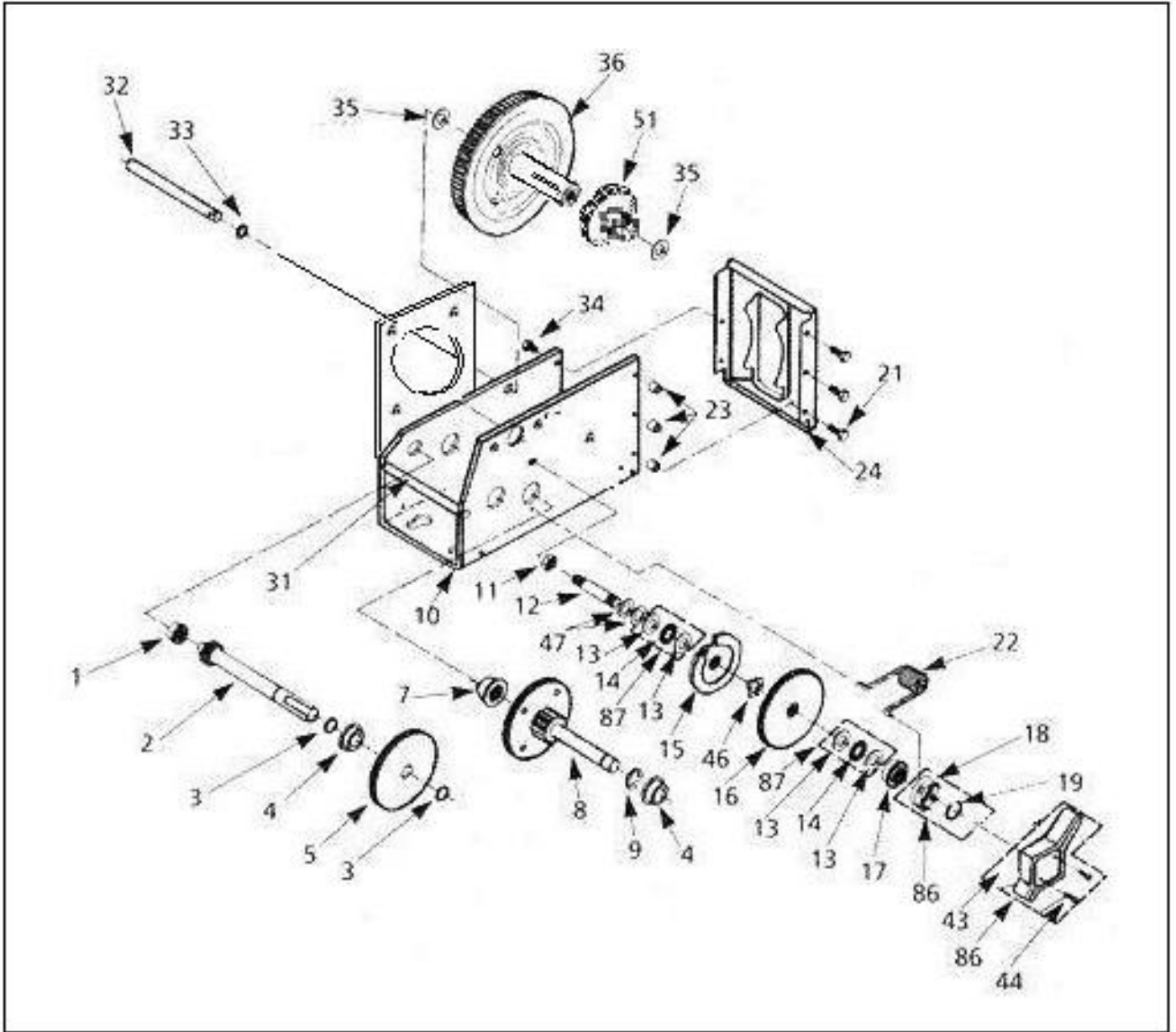


## REPCO PUMP PULLER Drive Winch Parts List

Item Number	Part Letter	Part Number	Description
1	A	304314	Brg.Housing W/Brg.
2	B	304304	Drive Shaft Assem.
3	C	205191	Retaining Ring
4	D	204012	Bushing
5	E	204703	56 Tooth Gear
7	G	304313	Drive Shaft Brg.
8	J	304302	Drive Shaft Assem.
9	K	205116	E Ring
10	L	404500	Base
11	M	205192	7/16"-20 Locknut
12	N	404517	Clutch Stud
13	P	205186	Bearing Race
14	Q	205185	Thrust Bearing
15	R	304305	Clutch Gear Assem.
16	T	304311	84Tooth Gear Assm.
17	U	204518	Clutch Handle Nut
18	V	204721	Gray Spring Keeper
19	W	204770	O Ring(Od-15/16",Id-3/4")
22	Z	204711	Clutch Spring
23	AA	404513	Spacer
29	AH	404522	12T Pinion Gear
30	AJ	205135	E Ring
31	AK	404510	Base Spacer
32	AL	404514	Reel Shaft
33	AM	204468	Retaining Ring
34	AN	205189	1/4"-20 X 1/2" Screw
35	AP	205109	Washer
36	AR	304418-REP	Main Shaft w/ Brgs
43	AX	204712	Clutch Handle
44	AY	205196	4 X 1/2" Screw
45	Not Shown	REP-732X10	Cable & mandrill
46	BD	205200	Spring Washer
47	S	204360	Washer
48	Not Shown	REP-MOTOR	½ HP Motor
49	Not Shown	55501-REP	Pendent Cord
50	Not Shown	40711-REP	Switch Cable
51		50BS14-REP	14 Tooth Sprocket
86	Kit	6382	Clutch Handle
87	Kit	6381	Thrust Bearing Kit

Contact: R.E. Prescott Co., Inc.  
 10 Railroad Ave  
 Exeter, NH 03833  
 1-800-479-4320



Contact: R.E. Prescott Co., Inc.  
10 Railroad Ave  
Exeter, NH 03833  
1-800-479-4320