

A

B

C

D

E

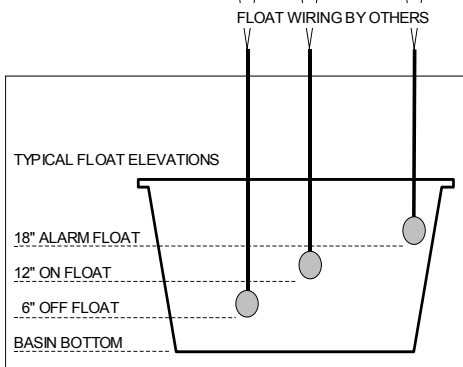
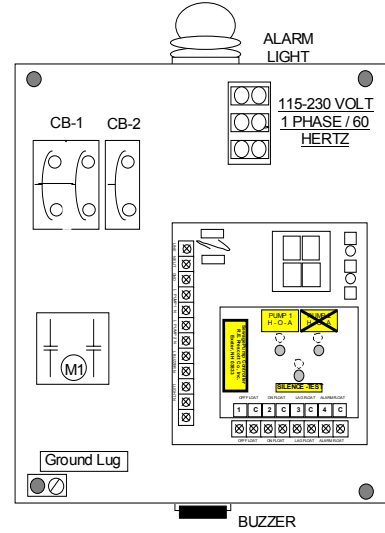
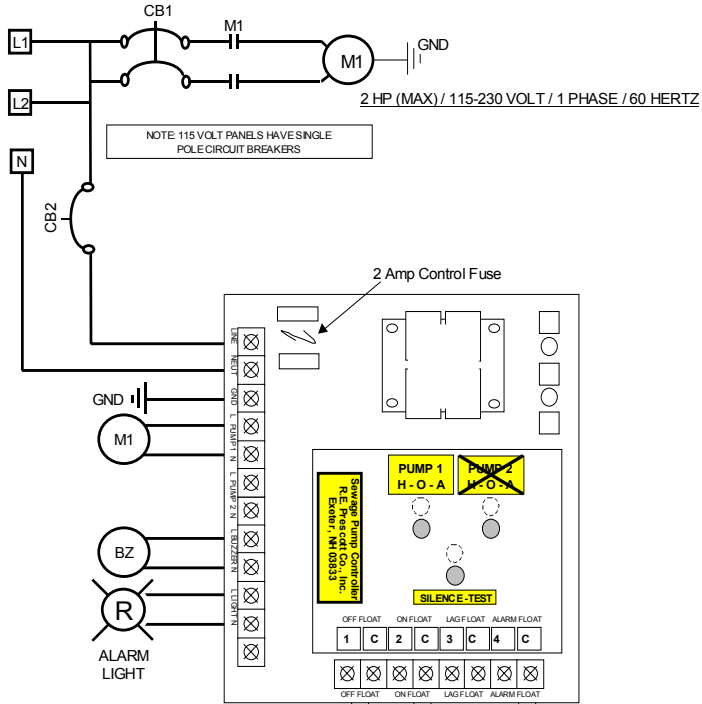
F

G

H

e-LINE SIMPLEX CONTROL PANEL

115-230 VOLT / 60 HZ / 1 PHASE



MODEL: e-LINE SIMPLEX v2.0
VOLTS: 115 / 230 **MAX HP:** 2.0
HERTZ: 60 **PHASE:** 1

CONNECT CABINET TO A GOOD GROUND
 DISCONNECT POWER BEFORE SERVICING

REPLACE FUSES WITH A 2AG OR EQUIVALENT FUSE

FOR FIELD WIRING USE COPPER CONDUCTOR 60
 DEGREE INSULATION

CAUTION: TO REDUCE THE RISK OF FIRE, REPLACE
 ONLY WITH THE SAME TYPE AND RATING OF FUSE
 (OR EQUIVALENT)

TORQUE SCREWS TO 20 LB.IN.

eLINE REPCO CONTROLS
 SIMPLEX CONTROL PANEL
 WITH HIGH WATER ALARM



R.E. PRESCOTT CO., INC.
 10 RAILROAD AVENUE
 EXETER, NH 03833

-000
 -010
 -020
 -030
 -040
 -050
 -060
 -070
 -080
 -090
 -100
 -110
 -120
 -130
 -140
 -150
 -160
 -170
 -180
 -190
 -200
 -210
 -220
 -230
 -240
 -250